

Guardian Delivery Carts

Operations & Maintenance Manual



Symbols used in this manual:



Warning symbol. The warning symbol is used to identify critical hazards.



Important Note symbol. This symbol is used to identify important information that should be remembered.

Contact Information

Corporate Headquarters:

MedViron LLC
9380 Pentatech Drive
Zeeland, Michigan 49464 USA

Email: customerservice@medviron.com

Toll free: 1-844-633-8476

Website: medviron.com

Mailing address:

MedViron LLC
P.O. Box 286
Zeeland, Michigan 49464 USA

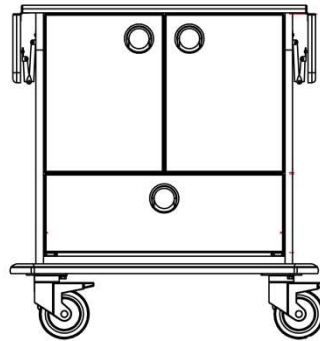
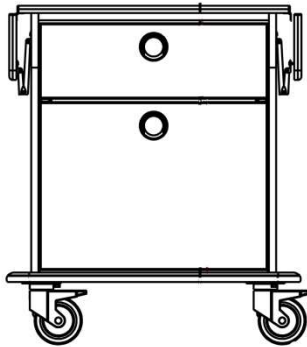
Table of Contents:

| | |
|--|----|
| Symbols used in this manual _____ | 2 |
| Manufacturer Contact Information _____ | 2 |
| Guardian Delivery Cart Description _____ | 4 |
| Purpose _____ | 4 |
| Features _____ | 5 |
| Specifications _____ | 5 |
| Moving the Guardian Delivery Cart _____ | 6 |
| Serial Number Location _____ | 7 |
| Manufacturer Contact Information _____ | 7 |
| Service Parts _____ | 7 |
| Safety and Risks _____ | 8 |
| Cleaning Instructions _____ | 8 |
| Preventative Maintenance List _____ | 9 |
| Warranty _____ | 10 |

Description

The MedViron Guardian Delivery Cart is a mobile storage cabinet with drawers and a dual drop-leaf top. The Guardian Delivery Cart offers a warm design and finishes that convey the comfort and familiarity of home and also imply competent, current, modern healthcare.

The Guardian Delivery Cart is available in two configurations, a two-drawer or a one-drawer/two-door model.



Purpose

The functional design of the Guardian Delivery Cart accommodates the storage and transport of care items for a newborn in a hospital maternity department.

The Guardian Delivery Cart is intended for use by professionally licensed staff and to be sold to facilities caring for the labor and delivery of children.

The Guardian Delivery Cart has been designed and manufactured under ISO 13485 standards.

The Guardian Delivery Cart is intended for indoor use only.



The improper use of the Guardian Delivery Cart can lead to injury to the infant or to the healthcare professional operating the delivery cart. Use the Guardian Delivery Cart only as intended, as defined in this manual.



Changes made to the Guardian Delivery Cart or its parts can lead to injury to the infant or healthcare professional who is operating the delivery cart. Making any changes to the Guardian Delivery Cart also voids its warranty.

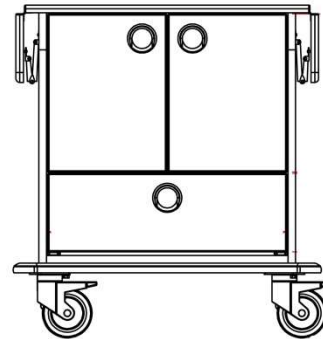
Features:

Two design goals for the Guardian Delivery Cart were lower cost of ownership for the hospital and improving the experience of mother, caregiver, and family.

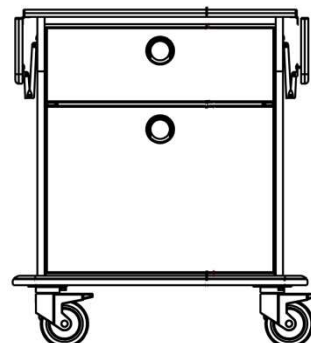
1. KYDEX® thermofilm has been used on all horizontal surfaces for impact resistance and durability.
2. The pass-through drawer can be opened from the front or rear of the cart.
3. The large lower drawer makes delivery packs easily accessible for caregivers.
4. The dual drop-leaf top expands caregiver’s workspace when needed.
5. The Guardian Delivery Cart has 5” casters –2 locking and 2 non-locking. The caster locks hold the cart firmly in place.
6. The base panel has been designed to minimize the chances of caregivers hitting their shins while the Guardian Delivery Cart is in motion or while caring for the infant.

Specifications:

Surface Width: 29in (66cm)
Drop leaf extended width: 44in (1.1m)
Surface Depth: 22in (61cm)
Surface height: 36in (91cm)
Doors: 12in W x 16”H
Bottom drawer: 24in W x 18in L x 8” D

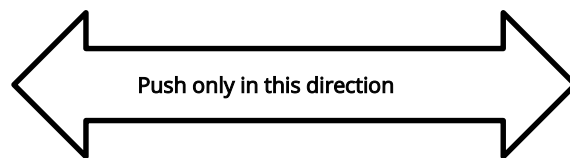
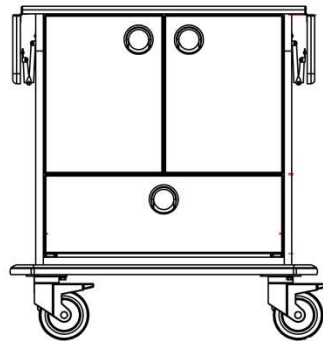


Surface Width: 29in (66cm)
Drop leaf extended width: 44in (1.1m)
Surface Depth: 22in (61cm)
Surface height: 36in (91cm)
Top drawer: 24in W x 18in L x 5in D
Bottom drawer: 24in W x 18in L x 13.5” D



Operation: Moving the Delivery Cart

1. Stand at either the left or right side of the delivery cart.
2. Make certain the Guardian Delivery Cart drawers or doors are closed.
3. Make certain the casters brakes are in the off position.
4. Place both hands on the Guardian Delivery Cart and push forward gently.
5. Make certain that the Guardian Delivery Cart is always in front of you. Do not pull the Guardian Delivery Cart behind you.



Never push the Guardian Delivery Cart from the front or rear.

Never pull the Guardian Delivery Cart behind you.

Serial Number Location

The serial number is located on the exterior of the right side panel of the top drawer box.

Contact Information

Corporate Headquarters:

MedViron LLC
9380 Pentatech Drive
Zeeland, Michigan 49464 USA

Email: customerservice@medviron.com

Toll free: 1-844-633-8476

Website: medviron.com

Mailing address:

MedViron LLC
P.O. Box 286
Zeeland, Michigan 49464 USA

Guardian Delivery Cart Service Parts

| Part Number | Part Name |
|---------------|----------------------------|
| 557-0105-0000 | Inset Drawer Pull - Black |
| | Stainless Steel Bow Pull |
| 556-0073-0000 | Caster Replacement Kit (4) |
| | |
| | |

Safety and Risks:



The maximum weight load of each of the Guardian Delivery Cart drawers is 25 pounds (11.3Kg). This is necessary to avoid tipping the Guardian Delivery Cart when drawers are open.



When moving the delivery cart, the operator should push only from the either end.



To avoid tipping hazards, make certain that the all doors, drawers and casters are secure when moving the delivery cart.

Product Care and Disinfection

Clean with a damp cloth or mild detergent solution. MedViron furniture can withstand a wide range of hospital cleaners and disinfectants. When using any of these products, read and follow the manufactures directions carefully. Do not use abrasive or solvent cleaner. A CDC recommended chlorinated bleach solution of 5.25% -6.15% sodium hypochlorite (i.e., household bleach) diluted in water at 1:100 also can be used.

Always use a soft cloth or sponge on the Guardian Delivery Cart for washing and rinsing. Always follow up the application of any cleaning solution with a warm water rinse.



After cleaning, it is important that the Guardian Delivery Cart is rinsed with warm water using a clean damp cloth and then wiped with a clean dry cloth to remove any moisture.

Preventative Maintenance List:

- ___ Check the casters. Casters should turn smoothly and should be free of any debris. Caster brakes should hold firmly, the wheel should not turn when brake is applied.
- ___ Check the drawer slides. Drawers should open smoothly and quietly.
- ___ Check the door hinges. Doors should open and close smoothly.
- ___ Check labeling. Warning labels must be intact and legible.
- ___ Check the drop leafs. Drop leaf support hinges should operate smoothly.

| Serial number | Date PM Completed | Completed by |
|---------------|-------------------|--------------|
| | | |
| | | |
| | | |
| | | |
| | | |
| | | |
| | | |
| | | |
| | | |
| | | |

Limited Lifetime Warranty

MedViron® warrants the products it manufactures against defects in material and workmanship under normal use and service for the expected useful life of the product from the date of shipment. This limited warranty is valid only to the original purchaser using the product for its intended purpose. This warranty does not apply to expected changes resulting from normal wear and tear, use and aging of the product. Specifically excluded from this limited warranty are defects and damage resulting from abuse, neglect, misuse, or excessive use. Product alteration, substitution of components or materials, improper cleaning or repair, and installation and handling damages are also not covered by this warranty. All other express or implied warranties made by agents, dealers, sales representatives or any other representatives, including any warranty of merchantability or fitness for a particular purpose, are hereby excluded.

There are no representations as to the capacity or performance of the products sold hereunder except as set forth in the price list or quotation specifications, if any, and such representations are expressly conditioned upon the correctness of the data furnished by purchaser and upon the products being properly installed and maintained.

MedViron's sole obligation shall be to repair or replace any defective product or product component covered under this warranty, including shipping and labor, during the warranty period. In no event shall **MedViron** be liable for any consequential or incidental damages, including lost profits or revenues incurred by the purchaser with respect to any goods furnished by MedViron. Expenses incurred by purchaser in repairing or replacing MedViron product must be pre-approved in writing by **MedViron**

In the event a product has to be returned to the factory for verification of a defect and/or repair, it must be pre-approved in writing by **MedViron** freight pre-paid, and include a copy of the original invoice with the date and name of original purchaser.

MedViron hereby assigns to the original owner any and all warranties offered by its component suppliers. To the extent the terms of these warranties differ from the terms of the Limited Warranty, the terms of the suppliers' component warranties shall apply. However, **MedViron** does not guarantee that the component supplier will comply with any terms of the warranty of such supplier.

Any **MedViron** products with the serial number removed or altered are excluded from this warranty.

MEDVIRON WILL NOT BE LIABLE FOR ANY CONSEQUENTIAL OR INCIDENTAL DAMAGES INCLUDING ANY LOSS, EXPENSE, OR DAMAGE OTHER THAN TO THE PRODUCT ITSELF THAT MAY RESULT FROM A DEFECT IN THE PRODUCT. SOME STATES DO NOT ALLOW FOR THE EXCLUSION OR LIMITATION OF CONSEQUENTIAL AND INCIDENTAL DAMAGES, SO THE ABOVE LIMITATION OR EXCLUSION MAY NOT APPLY.

MEDVIRON MAKES NO IMPLIED WARRANTIES OF MERCHANTABILITY OR FITNESS FOR A PARTICULAR PURPOSE. THESE AND ALL OTHER IMPLIED WARRANTIES ARE SPECIFICALLY DISCLAIMED. SOME STATES DO NOT ALLOW AN EXCLUSION OR LIMITATION ON HOW LONG AN IMPLIED WARRANTY LASTS, SO THE ABOVE LIMITATIONS OR EXCLUSIONS MAY NOT APPLY.

THIS WARRANTY GIVES YOU, THE ORIGINAL PURCHASER, SPECIFIC LEGAL RIGHTS AND YOU MAY ALSO HAVE OTHER RIGHTS THAT VARY FROM STATE TO STATE. EXCEPT FOR SUCH OTHER RIGHTS, THE REMEDIES PROVIDED UNDER THIS WARRANTY STATE THE LIMIT OF MEDVIRON'S RESPONSIBILITIES.