



# Guardian Bassinets

## Operations & Maintenance Manual

**WARNING:** To avoid tipping hazards of this device, make sure that the basket or bed component sits firmly in the base and that all doors, drawers and casters are secure.



---

## Symbols used in this manual:



**Warning.**

The warning symbol is used to identify critical hazards.



**Pinch Point.**

This symbol is used to identify a location where an injury may occur.



**Important Note.**

This symbol is used to identify important information to remember.

---

## Contact

**Corporate Headquarters:**

Medviron LLC  
9380 Pentatech Drive  
Zeeland, Michigan 49464 USA

**Email:** [customerservice@medviron.com](mailto:customerservice@medviron.com)

**Toll free:** 1-844-633-8476

**Website:** [medviron.com](http://medviron.com)

**Mailing address:**

Medviron LLC  
P.O. Box 286  
Zeeland, Michigan 49464 USA

## Contents:

Symbols used in this manual	2
Manufacturer Contact Information	2
Guardian Bassinet Description	4
Purpose	4
Features	5
Specifications	5
Contraindications	6
Operating Instructions:	
Moving the Guardian Bassinet	6
Inclined positioning	7
Serial Number & Cleaning Instructions Location	8
Safety and Risks	9
Cleaning Instructions	11
Preventative Maintenance List	12
Service Parts	13
Warranty	14

## Description

MedViron Guardian Bassinets have two distinct parts, a plastic tub with mattress which sits on a mobile storage cabinet with drawers. The Guardian Bassinet offers a warm design and finishes to convey the warmth of home and also to imply competent, current, modern healthcare.

## Purpose

The functional design of the bassinet accommodates the care and transport of an infant patient, the capability of inclined positioning of the bassinet tub, and the storage of care items for the infant.

The Guardian Bassinet is intended to be sold to and used by professionally licensed staff and facilities caring for the labor and delivery of children.

The Guardian Bassinet has been designed and manufactured under and to all pertaining ISO 13485 standards.

The bassinet is intended for indoor use only.



**THE IMPROPER USE OF THE BASSINET CAN LEAD TO INJURY TO THE INFANT OR TO THE HEALTHCARE PROFESSIONAL OPERATING THE BASSINET. USE THE BASSINET ONLY AS INTENDED, AS DEFINED IN THIS MANUAL.**



**CHANGES MADE TO THE BASSINET OR ITS PARTS CAN LEAD TO INJURY TO THE INFANT OR THE HEALTHCARE PROFESSIONAL OPERATING THE BASSINET. MAKING ANY CHANGES TO THE BASSINET ALSO VOIDS ITS WARRANTY.**

## Features:

Two design goals for the bassinet were lower cost of ownership for the hospital and improving the experience of mother, caregiver, and family.

1. The Guardian Bassinet's stainless steel push handles and all surface areas are easily accessible and easy to clean. The tub and handle design allow a clear view of the infant.
2. KYDEX® thermoplastic has been used on all horizontal surfaces for impact resistance and durability.
3. The Guardian Bassinet's molded ABS drawer boxes are removable for ease of cleaning.
4. The base panel has been designed to reduce the chances of caregivers hitting their shins while the Guardian Bassinet is in motion or while caring for the infant. Also, the surface of the base panel is limited so that the newborn's older siblings cannot use it as a step to get to the newborn.
5. The pull-out documentation tray has a containment groove to keep items from rolling off.
6. We offer integrated pulls so siblings cannot use handles as climbing aid.
7. Optional side-mounted chart holder available upon request.

## Specifications:

Width	34in (86.4cm)
Depth	20.85in (53cm)
Surface height	30in (76.25cm)
Handle height	36in (92.5cm)
Drawer internal dimensions	22.5in W x 13.25in L x 6in D
Weight:	112lbs (51kg)



## Contraindications:

1. The bassinet tub is not intended to be used without the mobile storage cabinet beneath.
2. The bassinet's plastic drawer is not intended to be used for anything other than as a drawer.
3. The bassinet is not intended to be used for infants that can sit, stand, or roll over.
4. The bassinet tub or drawer boxes are not intended to be used for bathing.

## Operation: Moving the Rise II Bassinet

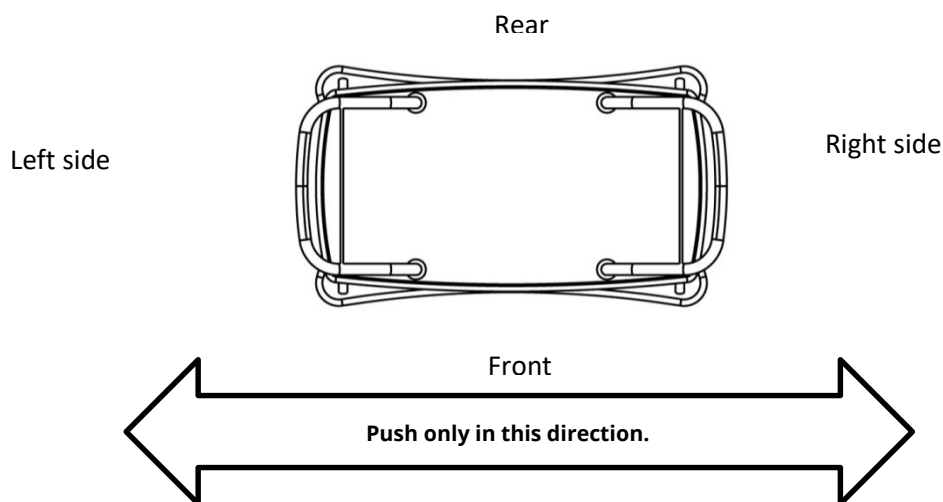
Stand at either the left or right side of the bassinet.

Make certain the bassinet tub is secure and that the drawers and pull-out work surface are secure.

Place both hands on the bassinet push handle and push forward gently.

Make certain that the bassinet is always in front of you. Do not pull the bassinet behind you.

Make certain that the floor is free of obstruction and beware of transitions in the floor.



**NEVER PUSH THE BASSINET FROM THE FRONT OR REAR.**

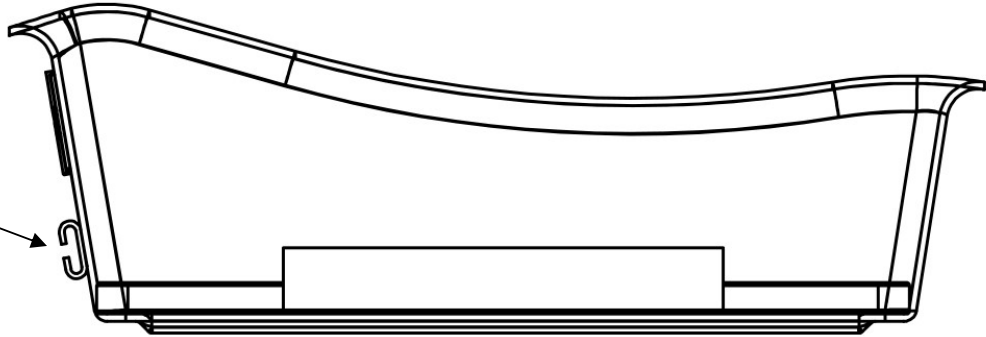


**NEVER PULL THE BASSINET BEHIND YOU.**

## Operation: Inclined Infant Tub Positioning

To put the bassinet tub into an inclined position, simply raise the tallest end of the tub and then lower it so that the hook on the side of the tub engages the metal rail that bisects the push handle.

Lift this side and engage the hook for the inclined position.



**DO NOT LET GO OF THE TUB UNTIL YOU ARE CERTAIN THE TUB HOOK IS FIRMLY SEATED ON THE RAIL.**



**NEVER PLACE ANY FOREIGN OBJECTS INSIDE OR ON TOP OF THE BASSINET TUB.**

## Serial Number & Cleaning Instructions Location



The serial number and bassinet cleaning instructions label is located on the drawer frame. It is on the exterior of the drawer frame on the right side.

## Contact Information

**Corporate Headquarters:**

MedViron LLC  
9380 Pentatech Drive  
Zeeland, Michigan 49464 USA

**Email:** [customerservice@medviron.com](mailto:customerservice@medviron.com)

**Toll free:** 1-844-633-8476

**Website:** [medviron.com](http://medviron.com)

**Mailing address:**

MedViron LLC  
P.O. Box 286  
Zeeland, Michigan 49464 USA



## Safety and Risks:



**TO AVOID TIPPING HAZARDS OF THIS DEVICE, MAKE SURE THAT THE BASKET OR BED COMPONENT FITS FIRMLY IN THE BASE, AND THAT THE DRAWER AND CASTERS ARE SECURE.**



**OBJECTS SHOULD NOT BE LEFT IN OR ON TOP OF THE BASSINET INFANT TUB AT ANY TIME.**



**WHEN PUTTING THE BASSINET TUB INTO THE INCLINED POSITION, ALWAYS VERIFY THAT THE TUB HOOK IS SECURE AND SEATED FIRMLY ON THE RAIL.**



**THE MAXIMUM WEIGHT LOAD OF EACH OF THE GUARDIAN BASSINET DRAWERS IS 25 POUNDS (11.3kg). THIS IS NECESSARY TO AVOID TIPPING THE GUARDIAN BASSINET WHEN DRAWERS ARE OPEN.**



**THE MAXIMUM WEIGHT LOAD OF THE PULL-OUT CHARTING / DOCUMENTATION TRAY IS 10 POUNDS (4.5kg). THIS IS NECESSARY TO AVOID TIPPING THE GUARDIAN BASSINET.**



**WHEN MOVING THE BASSINET, THE OPERATOR SHOULD PUSH ONLY FROM EITHER END USING THE BASSINET HANDLES.**

## Product Care and Disinfection

Clean with a damp cloth or mild detergent solution. MedViron products can withstand a wide range of hospital cleaners and disinfectants. When using any of these products, read and follow the manufacturer's directions carefully. Do not use abrasive or solvent cleaner. A CDC recommended chlorinated bleach solution of 5.25% -6.15% sodium hypochlorite (i.e., household bleach) diluted in water at 1:100 also can be used.

**Infant tub:** Always use a soft cloth or sponge on the bassinet's infant tub for washing and rinsing. Liquid dish detergent is an acceptable cleaner. Never use abrasives or solvent cleaners. Always follow up the application of any cleaning solution with a warm water rinse.

Clean the tub and mattress after each patient. Do not immerse the mattress in cleaning solution. Make certain the mattress and tub are completely dry after each cleaning.



**After cleaning, it is important that the bassinet is rinsed with warm water using a clean damp cloth and then wiped with a clean dry cloth to remove any moisture.**

### Preventative Maintenance List:



**WARNING:** To avoid tipping hazards of this device, make sure that the basket or bed component sits firmly in the base and that all doors, drawers and casters are secure.

- \_\_\_\_\_ Casters are secure.  
(Check that hex nuts are tight: 4 per caster)
- \_\_\_\_\_ Casters: Casters should turn smoothly and should be free of any debris.
- \_\_\_\_\_ Caster brakes should hold firmly, the wheel should not turn when brake is applied.
- \_\_\_\_\_ Plastic drawer: Should be clean and free of damage.
- \_\_\_\_\_ Drawer slides: Drawers should open smoothly and quietly.
- \_\_\_\_\_ Bassinet tub: Incline hook must be intact and firmly attached to the tub. Bassinet tub should be free of damage.
- \_\_\_\_\_ Warning labels and serial number label must be intact and legible.
- \_\_\_\_\_ Check mattress for tears, punctures, or wear.
- \_\_\_\_\_ Verify that the pull-out work surface is secure.

Serial number	Date Completed	Completed by

## Service Parts:

Part Name	Part Number
Bassinet Tub	523-0150-0000
Mattress	516-0000-0000
Inset Drawer Pull	557-0105-0000
Stainless Steel Drawer Pull	557-0036-0028
Plastic Drawer Liner	558-0063-0000
Caster Replacement Kit (4 casters w/hardware)	556-0073-0000
Drawer Front – Guardian Standard (color specific)	530-M028-Txxx
Drawer Front – Guardian Plus (color specific)	530-M028-Kxxx



Please contact your dealer or sales representative to order service parts.



## Limited Lifetime Warranty

MedViron® warrants the products it manufactures against defects in material and workmanship under normal use and service for the expected useful life of the product from the date of shipment. This limited warranty is valid only to the original purchaser using the product for its intended purpose. This warranty does not apply to the expected changes resulting from normal wear and tear, use and aging of the product. Specifically excluded from this limited warranty are defects and damage resulting from abuse, neglect, misuse, or excessive use. Product alteration, substitution of components or materials, improper cleaning or repair, and installation and handling damages are also not covered by this warranty. All other express or implied warranties made by agents, dealers, sales representatives, or any other representatives, including any warranty of merchantability or fitness for a particular purpose, are hereby excluded.

There are no representations as to the capacity or performance of the products sold hereunder except as set forth in the price list or quotation specifications, if any, and such representations are expressly conditioned upon the correctness of the data furnished by purchaser and upon the products being properly installed and maintained.

MedViron's sole obligation shall be to repair or replace any defective product or product component covered under this warranty, including shipping and labor, during the warranty period. In no event shall MedViron be liable for any consequential or incidental damages, including lost profits or revenues incurred by the purchaser with respect to any goods furnished by MedViron. Expenses incurred by purchaser in repairing or replacing MedViron product must be pre-approved in writing by MedViron.

In the event a product must be returned to the factory for verification of a defect and/or repair, it must be pre-approved in writing by MedViron freight pre-paid and include a copy of the original invoice with the date and name of the original purchaser.

MedViron hereby assigns to the original owner any and all warranties offered by its component suppliers. To the extent the terms of these warranties differ from the terms of the Limited Warranty, the terms of the suppliers' component warranties shall apply. However, MedViron does not guarantee that the component supplier will comply with any terms of the warranty of such supplier.

Any MedViron products with the serial number removed or altered are excluded from this warranty.

MEDVIRON WILL NOT BE LIABLE FOR ANY CONSEQUENTIAL OR INCIDENTAL DAMAGES INCLUDING ANY LOSS, EXPENSE, OR DAMAGE OTHER THAN TO THE PRODUCT ITSELF THAT MAY RESULT FROM A DEFECT IN THE PRODUCT. SOME STATES DO NOT ALLOW THE EXCLUSION OR LIMITATION OF CONSEQUENTIAL AND INCIDENTAL DAMAGES, SO THE ABOVE LIMITATION OR EXCLUSION MAY NOT APPLY.

MEDVIRON MAKES NO IMPLIED WARRANTIES OF MERCHANTABILITY OR FITNESS FOR A PARTICULAR PURPOSE. THESE AND ALL OTHER IMPLIED WARRANTIES ARE SPECIFICALLY DISCLAIMED. SOME STATES DO NOT ALLOW AN EXCLUSION OR LIMITATION ON HOW LONG AN IMPLIED WARRANTY LASTS, SO THE ABOVE LIMITATIONS OR EXCLUSIONS MAY NOT APPLY.

THIS WARRANTY GIVES YOU, THE ORIGINAL PURCHASER, SPECIFIC LEGAL RIGHTS AND YOU MAY ALSO HAVE OTHER RIGHTS THAT VARY FROM STATE TO STATE. EXCEPT FOR SUCH OTHER RIGHTS, THE REMEDIES PROVIDED UNDER THIS WARRANTY STATE THE LIMIT OF MEDVIRON'S RESPONSIBILITIES.