

Guardian Bassinets

Operations & Maintenance Manual



Symbols used in this manual:



Warning symbol. The warning symbol is used to identify critical hazards.



Important Note symbol. This symbol is used to identify important information that should be remembered.

Contact Information

Corporate Headquarters:

Medviron LLC
9380 Pentatech Drive
Zeeland, Michigan 49464 USA

Email: customerservice@medviron.com

Toll free: 1-844-633-8476

Website: medviron.com

Mailing address:

Medviron LLC
P.O. Box 286
Zeeland, Michigan 49464 USA

Table of Contents:

Symbols used in this manual _____	2
Manufacturer Contact Information _____	2
Guardian Bassinet Description _____	4
Purpose _____	4
Features _____	5
Specifications _____	5
Contraindications _____	6
Operating Instructions:	
Moving the Guardian Bassinet _____	6
Trendelenberg positioning _____	7
Serial Number Location _____	8
Safety and Risks _____	9
Cleaning Instructions _____	10
Preventative Maintenance List _____	11
Service Parts _____	12
Warranty _____	13

Description

The Guardian Bassinet has two distinct parts, a plastic tub with mattress which sits on top of a mobile wood storage cabinet with drawers. The Guardian Bassinet offers a warm design and finishes so as to convey the warmth of home and also to imply competent, current, modern healthcare.

The Guardian Bassinet can be made with or without plastic chart holders, and also with or without pull-out documentation trays.

Purpose

The functional design of the Guardian Bassinet accommodates the care and transport of an infant patient, the capability of Trendelenberg positioning of the Guardian Bassinet infant tub, and the storage of care items for the infant.

The Guardian Bassinet is intended to be sold to and for use by professionally licensed staff and facilities caring for the labor and delivery of children.

The Guardian Bassinet has been designed and manufactured under and to all pertaining ISO 13485 standards.

The Guardian Bassinet is intended for indoor use only.



The improper use of the Guardian Bassinet can lead to injury to the infant or to the healthcare professional operating the Guardian Bassinet. Use the Guardian Bassinet only as intended, as defined in this manual.



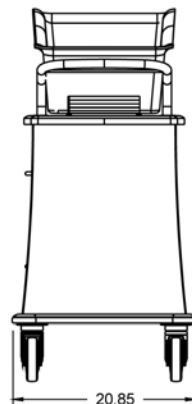
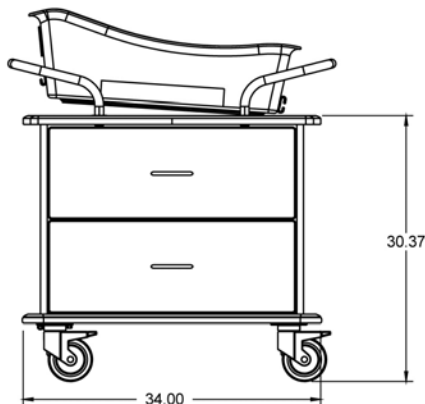
Changes made to the Guardian Bassinet or its parts can lead to injury to the infant or healthcare professional who is operating the Guardian Bassinet. Making any changes to the Guardian Bassinet also voids its warranty.

Features:

Two design goals for the Guardian Bassinet were lower cost of ownership for the hospital and improving the experience of mother, caregiver, and family.

1. The Guardian Bassinet's stainless steel push handles and all surface areas are easily accessible and easy to clean. The tub and handle design allow a clear view of the infant.
2. KYDEX® thermofilm has been used on all horizontal surfaces for impact resistance and durability.
3. The Guardian Bassinet's molded ABS drawer boxes are removable for ease of cleaning.
4. The base panel has been designed to reduce the chances of caregivers hitting their shins while the Guardian Bassinet is in motion or while caring for the infant. Also, the surface of the base panel is limited so that the newborn's older siblings cannot use it as a step to get to the newborn.
5. We offer integrated pulls so siblings cannot use handles as climbing aid.
6. Optional side-mounted chart holder available upon request.
7. Optional pull-out documentation tray is available upon request. The tray has a containment groove to keep items from rolling off.

Specifications:



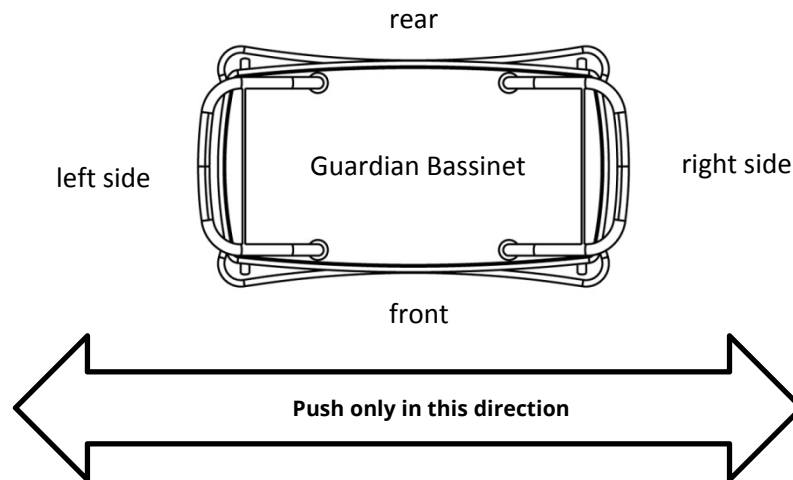
Handle height: 36in (92.5cm)
Surface height: 30in (76.25cm)
Length: 34in (86.4cm)
Width: 20.85in (53cm)
Weight: 112lbs (51kg)

Contraindications:

1. The Guardian Bassinet infant tub is not intended to be used without the base cabinet.
2. The Guardian Bassinet's plastic drawer liner is not intended to be used for anything other than as a drawer.
3. The Guardian Bassinet is not intended to be used for infants that can sit, stand or roll over.
4. The Guardian Bassinet tub or drawer boxes are not intended to be used for bathing.

Operation: Moving the Guardian Bassinet

1. Stand at either the left or right side of the Guardian Bassinet.
2. Make certain the Guardian Bassinet tub is secure and that drawers or doors are closed.
3. Place both hands on the Guardian Bassinet push handle and push forward gently.
4. Make certain that the Guardian Bassinet is always in front of you. Do not pull the Guardian Bassinet behind you.

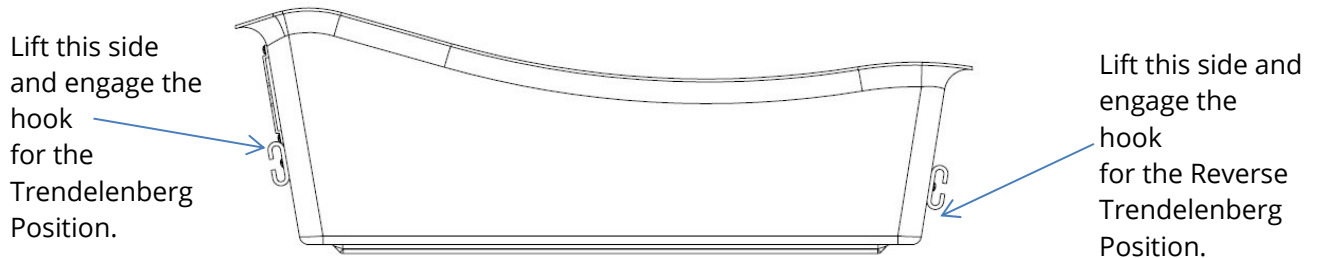


Never push the Guardian Bassinet from the front or rear.

Never pull the Guardian Bassinet behind you.

Operation: Trendelenberg Positioning

To put the Guardian Bassinet tub into the Trendelenberg or Reverse Trendelenberg position, simply raise either end of the tub and then lower it so that the hook on the side of the tub engages the metal rail that bisects the push handle.



Do not let go of the tub until you are certain the tub hook is firmly seated on the rail.



Never place any foreign objects inside or on top of the Guardian Bassinet tub.

Serial Number Location



The serial number is located on the exterior of the drawer box on the right side.

Contact Information

Corporate Headquarters:

Medviron LLC
9380 Pentatech Drive
Zeeland, Michigan 49464 USA

Email: customerservice@medviron.com

Toll free: 1-844-633-8476

Website: medviron.com

Mailing address:

Medviron LLC
P.O. Box 286
Zeeland, Michigan 49464 USA

Safety and Risks:



When putting the Guardian Bassinet tub into the Trendelenburg or Reverse-trendelenburg position, always verify that the tub hook is secure and seated firmly on the rail.



Objects should not be left in or on top of the Guardian Bassinet infant tub at any time.



The maximum weight load of each of the Guardian Bassinet drawers is 25 pounds (11.3Kg). This is necessary to avoid tipping the Guardian Bassinet when drawers are open.



The maximum weight load of the pull-out charting / documentation tray is 10lbs (4.5Kg). This is necessary to avoid tipping the Guardian Bassinet.



When moving the Guardian Bassinet, the operator should push only from the either end using the Guardian Bassinet handles.



To avoid tipping hazards of this device, make certain that the bed component fits firmly in the base, and that all doors, drawers and casters are secure.

Product Care and Disinfection

Clean with a damp cloth or mild detergent solution. MedViron furniture can withstand a wide range of hospital cleaners and disinfectants. When using any of these products, read and follow the manufactures directions carefully. Do not use abrasive or solvent cleaner. A CDC recommended chlorinated bleach solution of 5.25% -6.15% sodium hypochlorite (i.e., household bleach) diluted in water at 1:100 also can be used.

Infant tub: Always use a soft cloth or sponge on the Guardian Bassinet’s infant tub for washing and rinsing. Liquid dish detergent is an acceptable cleaner. Never use abrasives or solvent cleaners. Always follow up the application of any cleaning solution with a warm water rinse.

Clean the tub and mattress after each patient. Do not immerse the mattress in cleaning solution. Make certain the mattress and tub are completely dry after each cleaning.



After cleaning, it is important that the Guardian Bassinet is rinsed with warm water using a clean damp cloth and then wiped with a clean dry cloth to remove any moisture.

Preventative Maintenance List:

- ___ Casters: Casters should turn smoothly and should be free of any debris. Caster brakes should hold firmly, the wheel should not turn when brake is applied.
- ___ Plastic drawer liners: Should be clean and free of damage.
- ___ Drawer slides: Drawers should open smoothly and quietly.
- ___ Documentation / chart board: The chart board should pull-out and push back in easily.
- ___ Guardian Bassinet tub: Trendelenburg hooks must be intact and firmly attached to the tub. Guardian Bassinet tub should be free of damage.
- ___ Warning labels must be intact and legible.
- ___ Check mattress for tears, punctures or wear.

Serial number	Date PM Completed	Completed by

Guardian Bassinet Service Parts

Part Number	Part Name
523-0150-0000	Guardian Bassinet Tub
556-0073-0000	Caster Replacement Kit (4)
530-M028-T000	Drawer Front – Guardian Standard
530-M028-K000	Drawer Front – Guardian Plus
516-0000-0000	Mattress
523-0034-0000	Plastic Chart Holder
558-0002-0000	Plastic Drawer Bin
952-0042-0000	Drawer Frame Bumpers (12)
957-0016-0036	Stainless Steel Bow Pulls



Limited Lifetime Warranty

MedViron[®] warrants the products it manufactures against defects in material and workmanship under normal use and service for the expected useful life of the product from the date of shipment. This limited warranty is valid only to the original purchaser using the product for its intended purpose. This warranty does not apply to expected changes resulting from normal wear and tear, use and aging of the product. Specifically excluded from this limited warranty are defects and damage resulting from abuse, neglect, misuse, or excessive use. Product alteration, substitution of components or materials, improper cleaning or repair, and installation and handling damages are also not covered by this warranty. All other express or implied warranties made by agents, dealers, sales representatives or any other representatives, including any warranty of merchantability or fitness for a particular purpose, are hereby excluded.

There are no representations as to the capacity or performance of the products sold hereunder except as set forth in the price list or quotation specifications, if any, and such representations are expressly conditioned upon the correctness of the data furnished by purchaser and upon the products being properly installed and maintained.

MedViron's sole obligation shall be to repair or replace any defective product or product component covered under this warranty, including shipping and labor, during the warranty period. In no event shall **MedViron** be liable for any consequential or incidental damages, including lost profits or revenues incurred by the purchaser with respect to any goods furnished by MedViron. Expenses incurred by purchaser in repairing or replacing MedViron product must be pre-approved in writing by **MedViron**

In the event a product has to be returned to the factory for verification of a defect and/or repair, it must be pre-approved in writing by **MedViron** freight pre-paid, and include a copy of the original invoice with the date and name of original purchaser.

MedViron hereby assigns to the original owner any and all warranties offered by its component suppliers. To the extent the terms of these warranties differ from the terms of the Limited Warranty, the terms of the suppliers' component warranties shall apply. However, **MedViron** does not guarantee that the component supplier will comply with any terms of the warranty of such supplier.

Any **MedViron** products with the serial number removed or altered are excluded from this warranty.

MEDVIRON WILL NOT BE LIABLE FOR ANY CONSEQUENTIAL OR INCIDENTAL DAMAGES INCLUDING ANY LOSS, EXPENSE, OR DAMAGE OTHER THAN TO THE PRODUCT ITSELF THAT MAY RESULT FROM A DEFECT IN THE PRODUCT. SOME STATES DO NOT ALLOW FOR THE EXCLUSION OR LIMITATION OF CONSEQUENTIAL AND INCIDENTAL DAMAGES, SO THE ABOVE LIMITATION OR EXCLUSION MAY NOT APPLY.

MEDVIRON MAKES NO IMPLIED WARRANTIES OF MERCHANTABILITY OR FITNESS FOR A PARTICULAR PURPOSE. THESE AND ALL OTHER IMPLIED WARRANTIES ARE SPECIFICALLY DISCLAIMED. SOME STATES DO NOT ALLOW AN EXCLUSION OR LIMITATION ON HOW LONG AN IMPLIED WARRANTY LASTS, SO THE ABOVE LIMITATIONS OR EXCLUSIONS MAY NOT APPLY.

THIS WARRANTY GIVES YOU, THE ORIGINAL PURCHASER, SPECIFIC LEGAL RIGHTS AND YOU MAY ALSO HAVE OTHER RIGHTS THAT VARY FROM STATE TO STATE. EXCEPT FOR SUCH OTHER RIGHTS, THE REMEDIES PROVIDED UNDER THIS WARRANTY STATE THE LIMIT OF MEDVIRON'S RESPONSIBILITIES.