



BASSINETS

Operations & Maintenance Manual



medviron.com

customerservice@medviron.com

1-844-633-8476

pn 530-MOMM-0000 (Rev 3)

Symbols used in this manual:



Warning symbol. The warning symbol is used to identify critical hazards.



Important Note symbol. This symbol is used to identify important information that should be remembered.

Table of Contents:

Symbols used in this manual _____	2
Guardian Bassinet Description _____	4
Purpose _____	4
Features _____	5
Specifications _____	5
Contraindications _____	5
Operating Instructions:	
Moving the Bassinet _____	6
Trendelenberg positioning _____	7
Serial Number Location _____	8
Manufacturer Contact Information _____	8
Safety and Risks _____	9
Cleaning Instructions _____	10
Preventative Maintenance List _____	11
Service Parts	
2-Drawer Bassinet Service Part List _____	12
1-Drawer Bassinet Service Part List _____	13
1-Drawer/2-Door Bassinet Service Part List _____	14
Warranty _____	15

Description

The bassinet has two distinct parts, a plastic tub with mattress which sits on top of a mobile wood storage cabinet with drawers. The bassinet offers a warm design and finishes so as to convey the warmth of home and also to imply competent, current, modern healthcare.

The bassinet is available in three configurations: one-drawer, two-drawer or a one-drawer/two-door model. The bassinet can be made with or without plastic chart holders, and also with or without pull-out documentation trays.

Purpose

The functional design of the bassinet accommodates the care and transport of an infant patient, the capability of Trendelenberg positioning of the bassinet tub, and the storage of care items for the infant.

The bassinet is intended to be sold to and for use by professionally licensed staff and facilities caring for the labor and delivery of children.

The bassinet has been designed and manufactured under and to all pertaining ISO 13485 standards.

The bassinet is intended for indoor use only.



The improper use of the bassinet can lead to injury to the infant or to the healthcare professional operating the bassinet. Use the bassinet only as intended, as defined in this manual.



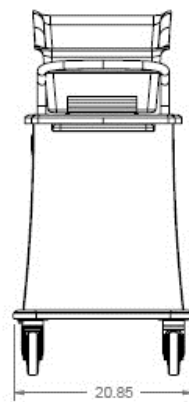
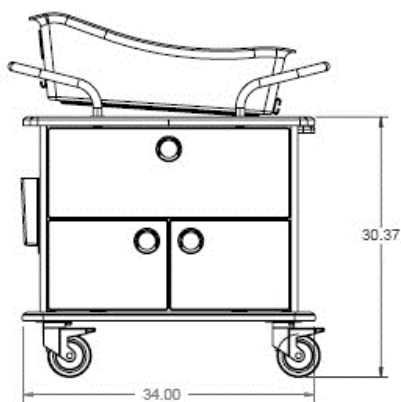
Changes made to the bassinet or its parts can lead to injury to the infant or healthcare professional who is operating the bassinet. Making any changes to the bassinet also voids its warranty.

Features:

Two design goals for the bassinet were lower cost of ownership for the hospital and improving the experience of mother, caregiver, and family.

1. The bassinet's stainless steel push handles and all surface areas are easily accessible and easy to clean. The tub and handle design allow a clear view of the infant.
2. KYDEX® thermofilm has been used on all horizontal surfaces for impact resistance and durability.
3. The bassinet's molded ABS drawer boxes are removable for ease of cleaning.
4. The base panel has been designed to reduce the chances of caregivers hitting their shins while the bassinet is in motion or while caring for the infant. Also, the surface of the base panel is limited so that the newborn's older siblings cannot use it as a step to get to the newborn.
5. We offer integrated pulls so siblings cannot use handles as climbing aid.
6. Optional side-mounted chart holder available upon request.
7. Optional pull-out documentation tray is available upon request. The tray has a containment groove to keep items from rolling off.

Specifications



Specifications:

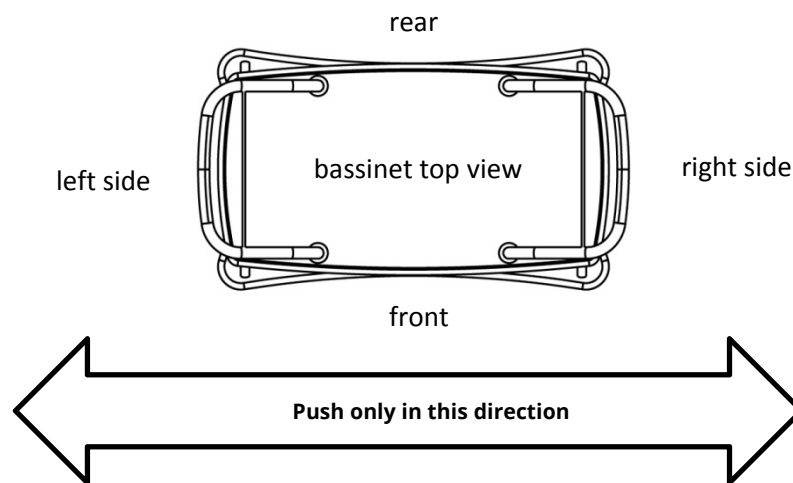
Handle height: 36in (92.5cm)
Surface height: 30in (76.25cm)
Length: 34in (86.4cm)
Width: 20.85in (53cm)
Weight: 112lbs (51kg)

Contraindications:

1. The bassinet tub is not intended to be used without the base cabinet.
2. The bassinet's plastic drawer liner is not intended to be used for anything other than as a drawer.
3. The bassinet is not intended to be used for infants that can sit, stand or roll over.
4. The bassinet tub or drawer boxes are not intended to be used for bathing.

Operation: Moving the Bassinet

1. Stand at either the left or right side of the bassinet.
2. Make certain the bassinet tub is secure and that drawers or doors are closed.
3. Place both hands on the bassinet push handle and push forward gently.
4. Make certain that the bassinet is always in front of you. Do not pull the bassinet behind you.

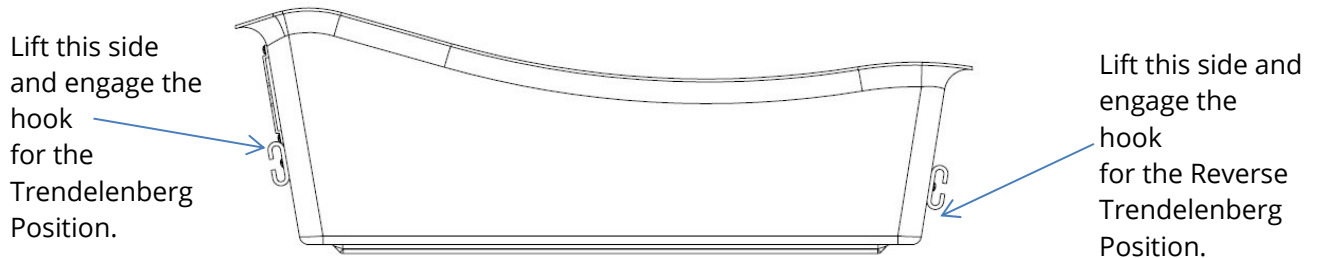


Never push the bassinet from the front or rear.

Never pull the bassinet behind you.

Operation: Trendelenberg Positioning

To put the bassinet tub into the Trendelenberg or Reverse Trendelenberg position, simply raise either end of the tub and then lower it so that the hook on the side of the tub engages the metal rail that bisects the push handle.

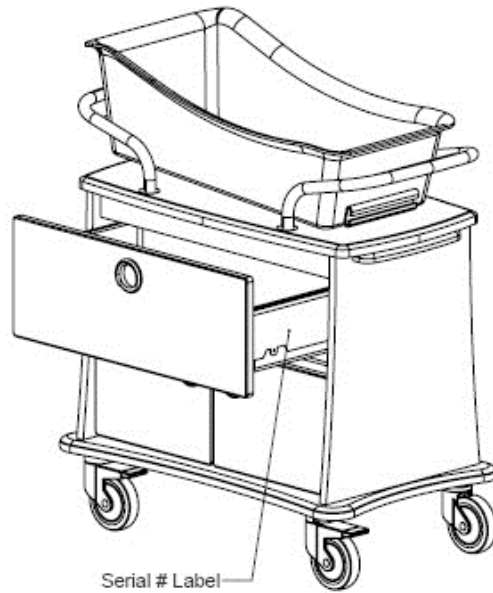


Do not let go of the tub until you are certain the tub hook is firmly seated on the rail.



Never place any foreign objects inside or on top of the bassinet tub.

Serial Number Location



The serial number is located on the exterior of the drawer box on the right side.

Contact Information

Corporate Headquarters:

Medviron LLC
9380 Pentatech Drive
Zeeland, Michigan 49464 USA

Email: customerservice@medviron.com

Toll free: 1-844-633-8476

Website: medviron.com

Mailing address:

Medviron LLC
P.O. Box 286
Zeeland, Michigan 49464 USA

Safety and Risks:



When putting the bassinet tub into the Trendelenburg or Reverse Trendelenburg position, always verify that the tub hook is secure and seated firmly on the rail.



Objects should not be left in or on top of the bassinet infant tub at any time.



The maximum weight load of each of the bassinet drawers is 25 pounds (11.3Kg). This is necessary to avoid tipping the bassinet when drawers are open.



The maximum weight load of the pull-out charting / documentation tray is 10lbs (4.5Kg). This is necessary to avoid tipping the bassinet.



When moving the bassinet, the operator should push only from the either end using the bassinet handles.

Product Care and Disinfection

Clean with a damp cloth or mild detergent solution. MedViron furniture can withstand a wide range of hospital cleaners and disinfectants. When using any of these products, read and follow the manufactures directions carefully. Do not use abrasive or solvent cleaner. A CDC recommended chlorinated bleach solution of 5.25% -6.15% sodium hypochlorite (i.e., household bleach) diluted in water at 1:100 also can be used.

Infant tub: Always use a soft cloth or sponge on the bassinet's infant tub for washing and rinsing. Liquid dish detergent is an acceptable cleaner. Never use abrasives or solvent cleaners. Always follow up the application of any cleaning solution with a warm water rinse.

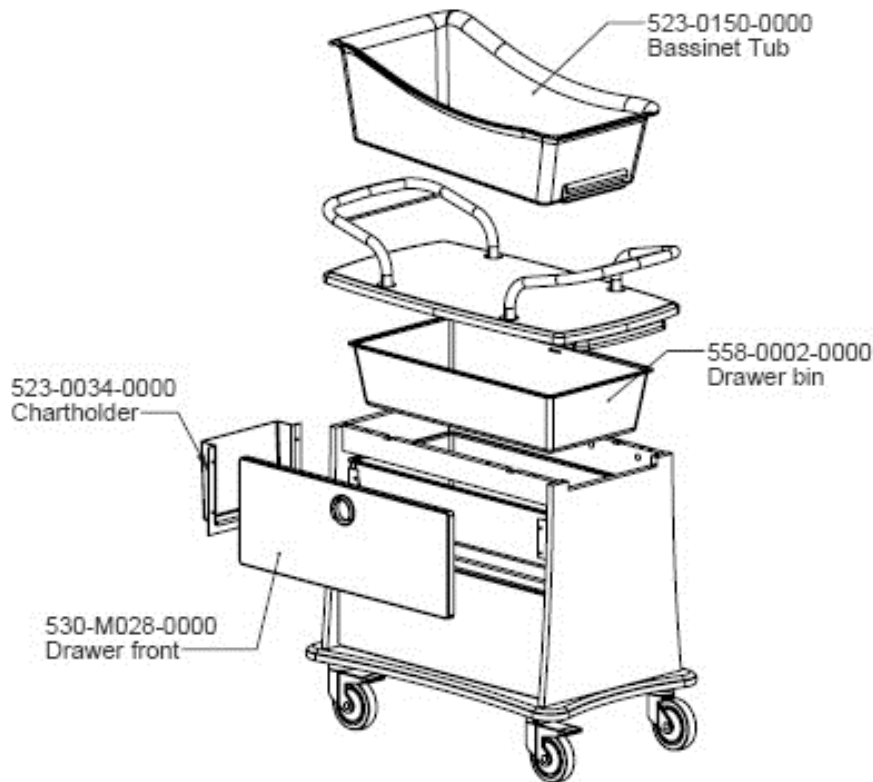
Clean the tub and mattress after each patient. Do not immerse the mattress in cleaning solution. Make certain the mattress and tub are completely dry after each cleaning.



After cleaning, it is important that the bassinet is rinsed with warm water using a clean damp cloth and then wiped with a clean dry cloth to remove any moisture.

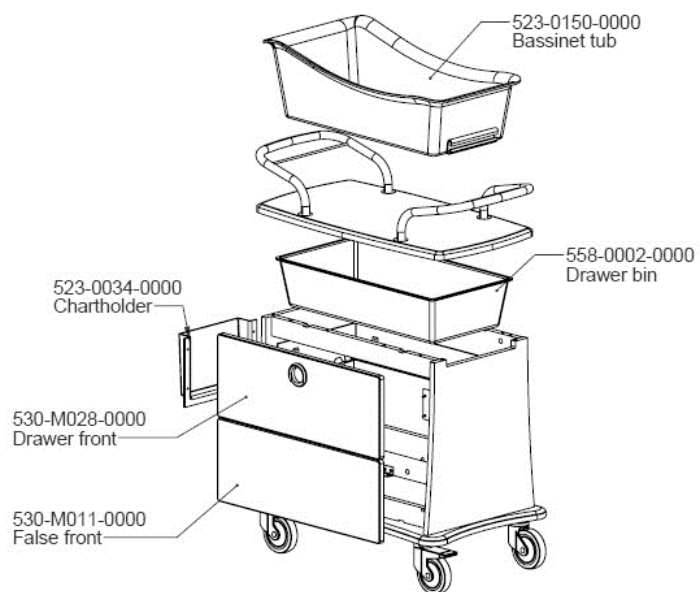
2-Drawer Bassinet Service Parts

Part Number	Part Name
523-0150-0000	Bassinet Tub
556-0073-0000	Caster Replacement Kit (4)
530-M028-0000	Drawer Front – Guardian Standard
530-M050-0000	Drawer Front – Huron
530-M040-0000	Drawer Front – Michigan
530-M020-0000	Drawer Front – Ontario
530-M011-0000	Drawer Front – St. Clair
530-M030-0000	Drawer Front – Superior
530-M060-0000	Drawer Front – Traverse Bay
516-0000-0000	Mattress
523-0034-0000	Plastic Chart Holder
558-0002-0000	Plastic Drawer Bin
952-0042-0000	Drawer Frame Bumpers (12)
957-0016-0036	Stainless Steel Bow Pulls



1-Drawer Bassinet Service Parts

Part Number	Part Name
523-0150-0000	Bassinet Tub
556-0073-0000	Caster Replacement Kit (4)
530-M028-0000	Drawer Front – Guardian Standard
530-M050-0000	Drawer Front – Huron
530-M040-0000	Drawer Front – Michigan
530-M020-0000	Drawer Front – Ontario
530-M011-0000	Drawer Front – St. Clair
530-M030-0000	Drawer Front – Superior
530-M060-0000	Drawer Front – Traverse Bay
530-M051-0000	False Drawer Front - Huron
530-M041-0000	False Drawer Front - Michigan
530-M021-0000	False Drawer Front - Ontario
530-M014-0000	False Drawer Front - St Clair
530-M031-0000	False Drawer Front - Superior
530-M061-0000	False Drawer Front - Traverse Bay
516-0000-0000	Mattress
523-0034-0000	Plastic Chart Holder
558-0002-0000	Plastic Drawer Bin
952-0042-0000	Drawer Frame Bumpers (12)
957-0016-0036	Stainless Steel Bow Pulls



1-Drawer/2-Door Bassinet Service Parts

Part Number	Part Name
516-0000-0000	Mattress
523-0150-0000	Bassinet Tub
523-0034-0000	Plastic Chart Holder
556-0073-0000	Caster Replacement Kit (4)
530-M028-0000	Drawer Front – Guardian Standard
530-M050-0000	Drawer Front – Huron
530-M040-0000	Drawer Front – Michigan
530-M020-0000	Drawer Front – Ontario
530-M011-0000	Drawer Front – St. Clair
530-M030-0000	Drawer Front – Superior
530-M060-0000	Drawer Front – Traverse Bay
530-M052-0000	2 Door Replacement Kit- Huron
530-M042-0000	2 Door Replacement Kit- Michigan
530-M022-0000	2 Door Replacement Kit- Ontario
530-M016-0000	2 Door Replacement Kit- St. Clair
530-M032-0000	2 Door Replacement Kit- Superior
530-M062-0000	2 Door Replacement Kit- Traverse Bay
530-M116-0000	2 Door Replacement Kit-Guardian
558-0002-0000	Plastic Drawer Bin
952-0042-0000	Drawer Frame Bumpers
957-0013-0000	Stainless Steel Bow Pulls



Limited Lifetime Warranty

MedViron® warrants the products it manufactures against defects in material and workmanship under normal use and service for the expected useful life of the product from the date of shipment. This limited warranty is valid only to the original purchaser using the product for its intended purpose. This warranty does not apply to expected changes resulting from normal wear and tear, use and aging of the product. Specifically excluded from this limited warranty are defects and damage resulting from abuse, neglect, misuse, or excessive use. Product alteration, substitution of components or materials, improper cleaning or repair, and installation and handling damages are also not covered by this warranty. All other express or implied warranties made by agents, dealers, sales representatives or any other representatives, including any warranty of merchantability or fitness for a particular purpose, are hereby excluded.

There are no representations as to the capacity or performance of the products sold hereunder except as set forth in the price list or quotation specifications, if any, and such representations are expressly conditioned upon the correctness of the data furnished by purchaser and upon the products being properly installed and maintained.

MedViron's sole obligation shall be to repair or replace any defective product or product component covered under this warranty, including shipping and labor, during the warranty period. In no event shall **MedViron** be liable for any consequential or incidental damages, including lost profits or revenues incurred by the purchaser with respect to any goods furnished by MedViron. Expenses incurred by purchaser in repairing or replacing MedViron product must be pre-approved in writing by **MedViron**

In the event a product has to be returned to the factory for verification of a defect and/or repair, it must be pre-approved in writing by **MedViron** freight pre-paid, and include a copy of the original invoice with the date and name of original purchaser.

MedViron hereby assigns to the original owner any and all warranties offered by its component suppliers. To the extent the terms of these warranties differ from the terms of the Limited Warranty, the terms of the suppliers' component warranties shall apply. However, **MedViron** does not guarantee that the component supplier will comply with any terms of the warranty of such supplier.

Any **MedViron** products with the serial number removed or altered are excluded from this warranty.

MEDVIRON WILL NOT BE LIABLE FOR ANY CONSEQUENTIAL OR INCIDENTAL DAMAGES INCLUDING ANY LOSS, EXPENSE, OR DAMAGE OTHER THAN TO THE PRODUCT ITSELF THAT MAY RESULT FROM A DEFECT IN THE PRODUCT. SOME STATES DO NOT ALLOW FOR THE EXCLUSION OR LIMITATION OF CONSEQUENTIAL AND INCIDENTAL DAMAGES, SO THE ABOVE LIMITATION OR EXCLUSION MAY NOT APPLY.

MEDVIRON MAKES NO IMPLIED WARRANTIES OF MERCHANTABILITY OR FITNESS FOR A PARTICULAR PURPOSE. THESE AND ALL OTHER IMPLIED WARRANTIES ARE SPECIFICALLY DISCLAIMED. SOME STATES DO NOT ALLOW AN EXCLUSION OR LIMITATION ON HOW LONG AN IMPLIED WARRANTY LASTS, SO THE ABOVE LIMITATIONS OR EXCLUSIONS MAY NOT APPLY.

THIS WARRANTY GIVES YOU, THE ORIGINAL PURCHASER, SPECIFIC LEGAL RIGHTS AND YOU MAY ALSO HAVE OTHER RIGHTS THAT VARY FROM STATE TO STATE. EXCEPT FOR SUCH OTHER RIGHTS, THE REMEDIES PROVIDED UNDER THIS WARRANTY STATE THE LIMIT OF MEDVIRON'S RESPONSIBILITIES.