



Service Manual



32" Medviron Overbed Table

Table of Contents

Section 1 Cable Tension Adjustment

Section 2 Caster Replacement

Section 3 Plug Replacement

Section 4 Top Replacement

Section 5 Gas Spring Replacement

Section 6 Vanity Service

Section 1: Service Instructions OBT 32" – Cable Tension Adjustment

This manual is intended for trained professionals for adjustment of the Knú Overbed Table. Any action not outlined in this manual may result in voiding of the warranty.

The overbed table is designed with a system that allows for adjustment of the gas spring cable tension in the field. As the table acclimates to its environment, the gas spring pressure may cause the cable to require adjustment. The most likely causes of gas spring issues are cable tension and wear over time.

Before attempting the adjustment, lower the table to 2" above the lowest setting. With hands spread at each end of the table, push down repeatedly until the table rises to its highest setting. This may fix the gas spring.

Tools required

#2 Phillips screwdriver

1.0 Table drifts down without application of the handle

1.1 Adjusting the cable tension. After removing top (see section 4) find wrench on the bottom side of the top, (Figure 1). All rotations are given looking from the turnbuckle to the lock nut. Using the wrench, first loosen the lock nut (Figure 2) ¼ turn with the large end of the wrench by turning counter clockwise. Next, with the small end of the wrench loosen the turnbuckle (Figure 2) ¼ turn (clockwise). Replace the top without the screws & check the table to see if the downward drift is still present. If so, continue releasing the turnbuckle ¼ turn at a time until the drift is gone. Tighten the lock nut (clockwise) and replace the wrench & tape it to the Top, then replace the top permanently with the (8) screws from section 4.

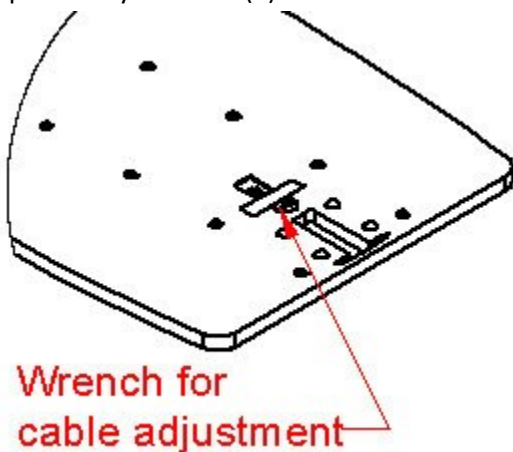


Figure 1.

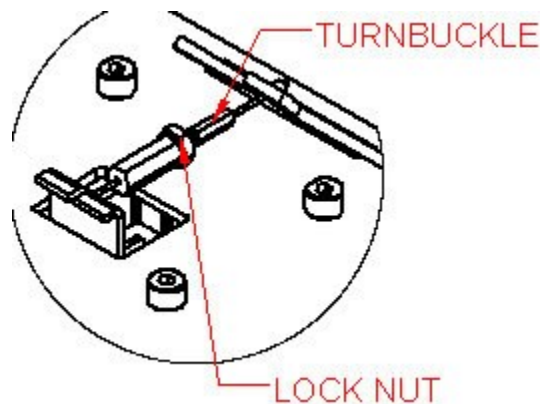


Figure 2.

Section 2: Service Instructions for MedViron Overbed Table Caster Replacement

This manual is intended for trained professionals for adjustment of the MedViron Overbed Table. Any action not outlined in this manual may result in voiding of the warranty.

Tools required

½" Open end wrench

2.0 Turn the over bed table upside down

To replace casters that are worn or malfunctioning, first raise the unit to its fullest extension. Turn the over bed table upside down and place on a protected surface such as a blanket (may require assistance).

2.1 Removing and replacing the caster and post

Using a ½" open end wrench, loosen each caster post by turning nut counter clockwise with a wrench and remove the caster and washer. Replace the washer and caster with new parts. see Figure 3

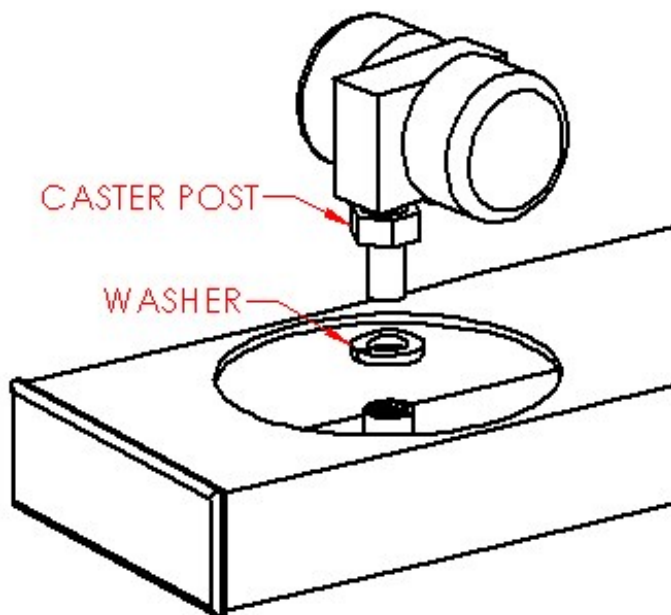


Figure 3

Section 3: Service Instructions

MedViron Overbed Table Base Plug Replacement

This manual is intended for trained professionals for adjustment of the MedViron Overbed Table. Any action not outlined in this manual may result in voiding of the warranty.

Tools required

- Soft Mallet or Hammer
- Punch

3.0 Turn the over bed table upside down or on its side

To replace damaged or worn end plugs, first raise the unit to its fullest extension. Turn the over bed table upside down or on its side and place on a protected surface such as a blanket (may require assistance).

3.1 Removing and replacing the plug

Insert a punch through the caster hole (as shown) and tap on the back side of the plug. Remove the plug. Insert a new plug carefully, inserting all sides evenly and equally. If necessary, tap the plug with a soft mallet or hammer. See Figure 4

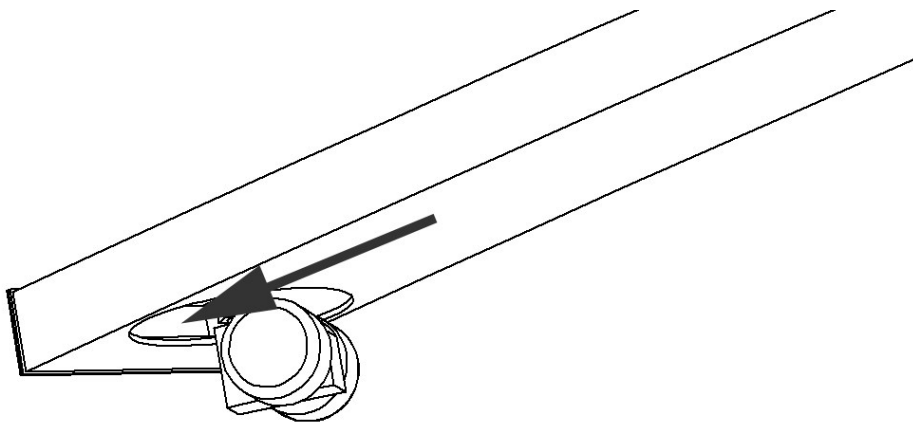


Figure 4

Section 4: Service Instructions OBT 32" Top Replacement

This manual is intended for trained professionals for adjustment of the Medvicon Overbed Table. Any action not outlined in this manual may result in voiding of the warranty.

Tools required

5/32" Allen wrench

4.0 Remove the top

Raise the unit to its fullest extension. Remove (8) screws from the underside of the plate. Lift top up and off of the plate. See Figure 5

4.1 Replace the top

Place the new top on the plate and align the holes. Replace the screws with care. Do not cross thread or over-tighten.

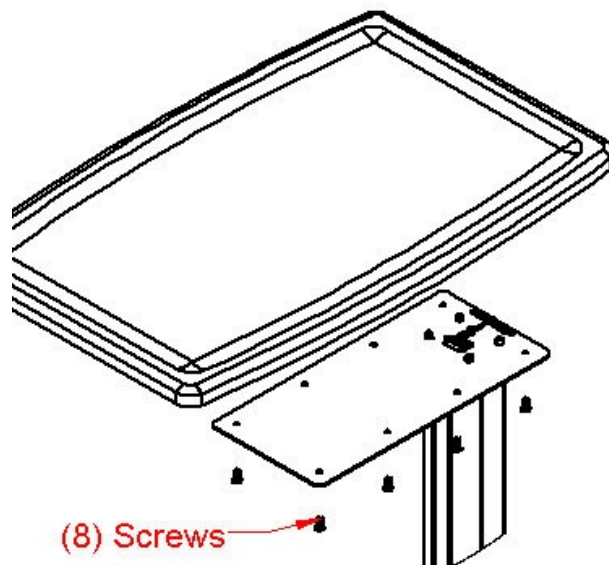


Figure 5

Section 5: Service Instructions – Gas Spring Replacement MedViron 32" Overbed Table

This manual is intended for trained professionals for adjustment of the MedViron Overbed Table. Any action not outlined in this manual may result in voiding of the warranty.

Before moving to this step, first attempt the adjustment in Section 1.

The overbed table contains a single locking gas spring for height adjustment. This gas spring keeps the table from being lowered until the handle is activated, but allows free rise. Gas springs can lose force over time, which will cause the table to descend faster when activated.

Tools required

- #2 & #3 Phillips Screwdriver (Powered driver not recommended except where noted)
- 7/16" socket or wrench
- Block (provided)

5.0 Replacing the gas spring

5.1 Remove the top as shown in Section 4.

5.2 Remove the wrench as shown in Section 1. Loosen the cable turnbuckle by first loosening the lock nut, then unfasten the end of the cable attached to the handle. Next remove the other end of the cable from the gas spring lever (Figure 6).

5.3 Remove the top plate by first removing (4) screws (Figure 6). A power driver may be required for this operation.

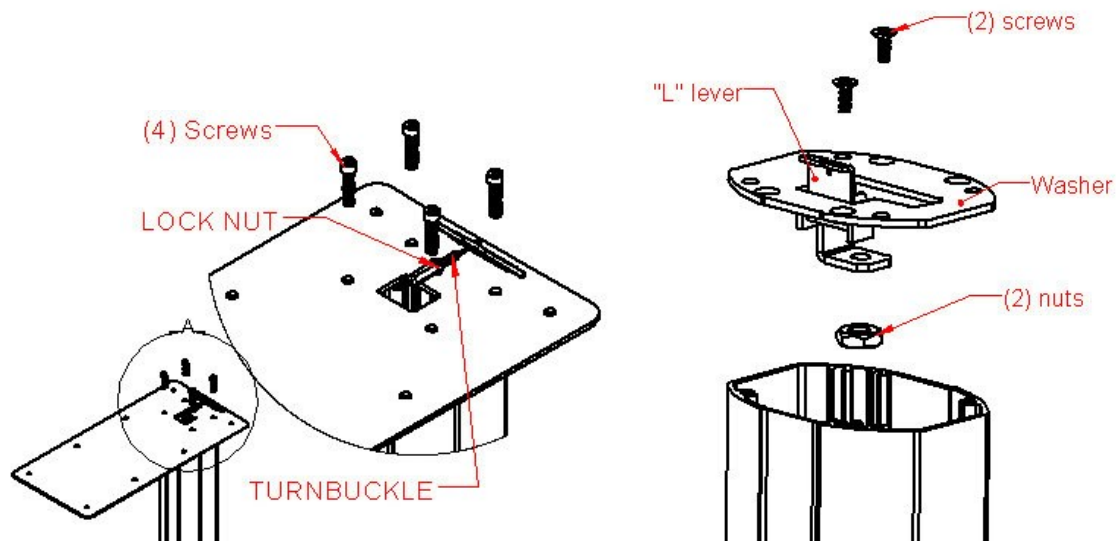


Figure 6

Figure 7

5.5 Remove the top washer by removing the 2 screws that are attached to the upper column, NOTE: keep hold of the upper column while removing the screws to prevent the column from dropping. Next loosen the 2 nuts holding the gas spring to the top washer. Remove the top nut & the top washer & set aside (Figure 7).

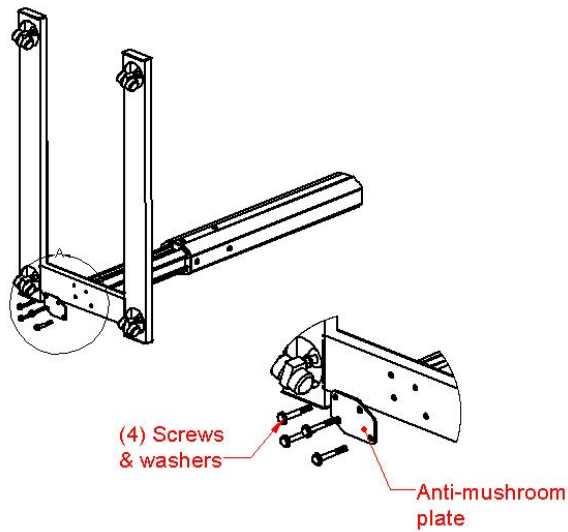


Figure 8

5.6 Remove the base. Place unit on a soft surface such as a blanket or carpet. Remove four bolts, washers & Anti-mushroom plate (Figure 8).

5.7 Remove the bottom washer. Remove two screws in the bottom of the column's bottom washer. Pull the gas spring out of the column. Unsnap the clevis pin and remove the bottom washer (Figure 9).

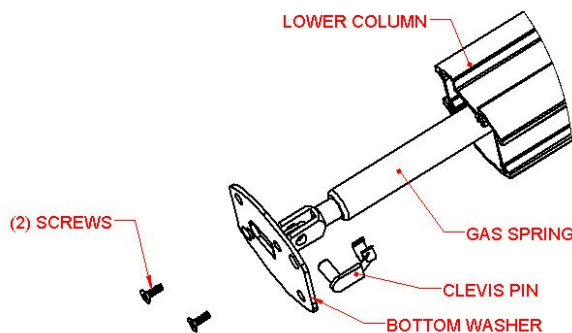


Figure 9

5.8 Assemble bottom washer to the new gas spring using the clevis pin (Figure 9).

- 5.9 Insert the gas spring into the column and attach the bottom washer to the column with the two screws removed in step 5.7
- 5.10 Attach the X-Base to the column using the screws, washers & anti-mushroom plate removed in step 5.6 (Figure 8).
- 5.11 Attach the top washer removed in step 5.5 to top of gas spring. Thread on the top nut. Adjust the nut setting so that the "L" lever is perpendicular (Figure 7).
- 5.12 Attach the upper column to the top washer. Use the provided block to boost the upper column (Figure 10). Activate the gas spring lever and push the top plate down, aligning the plate and column holes. Attach with the 2 screws removed in step 5.4 (Figure 7).

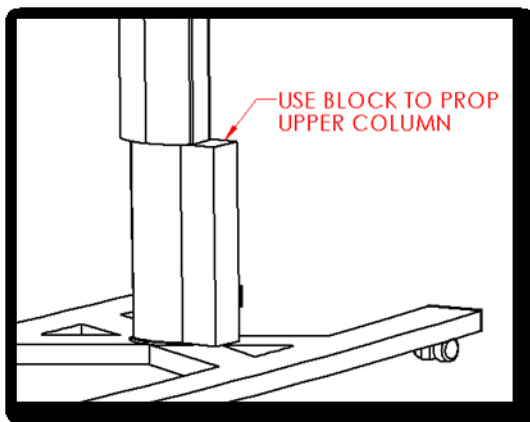


Figure 10

- 5.13 Attach the Top plate to the column with the 4 screws removed in step 5.4 (Figure 6). Reattach both ends of the cable to the handle & gas spring lever. Adjust the cable so that there is a small amount of slack to ensure that the gas spring is not activated. Secure the lock nut.
- 5.14 Attach the top as shown in Section 4.
- 5.15 Let the unit sit for 10 minutes to check for downward drift. If unit drifts, adjust as shown in Section 1.

Section 6: Service Instructions Vanity Tray Replacement

This manual is intended for trained professionals for adjustment of the Medvicon Overbed Table. Any action not outlined in this manual may result in voiding of the warranty.

Tools that may be required

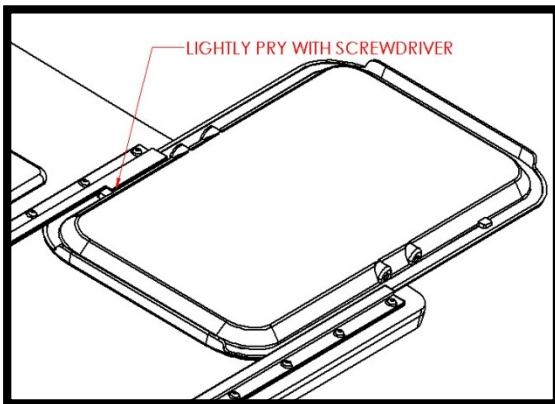
Straight or Slotted screwdriver

#2 Phillips screwdriver

6.0 Removing or replacing a vanity tray

6.1 Removing the vanity tray

Raise the unit to its fullest extension. In most cases, the vanity tray can be removed by pulling the tab past the stop. If the stop is too tight, a slotted screw driver may be used to lightly pry the stop (Figure 11). The vanity can be replaced the same way it was removed.



6.2 Replacing the vanity tray

If replacing the vanity, the rails may need adjustment. Remove the old vanity as described in 6.1. Insert the new vanity.

If the vanity works well and does not slide too hard or easy, no adjustment is necessary. If the vanity slides too hard or too easily adjustment may be required. If the vanity needs adjustment, start by loosening (3) screws on the outer rail with the vanity centered (Figure 12). If the vanity moved too easy, hold the rail slightly closer to the vanity and retighten the screws. Repeat the process with the other (3) screws on the same rail. If the vanity is too tight, use the same process but move the rail slightly farther away from the vanity.

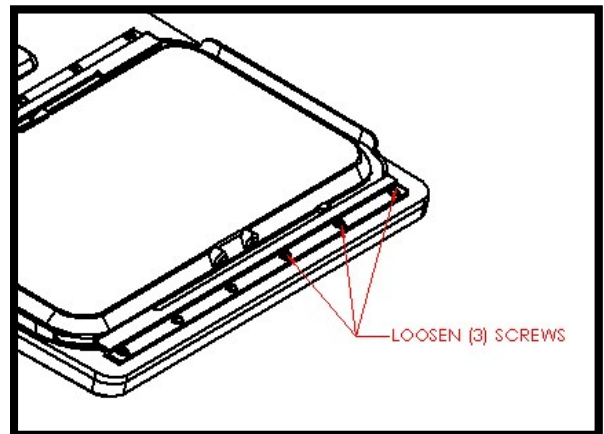


Figure 11

Figure 12